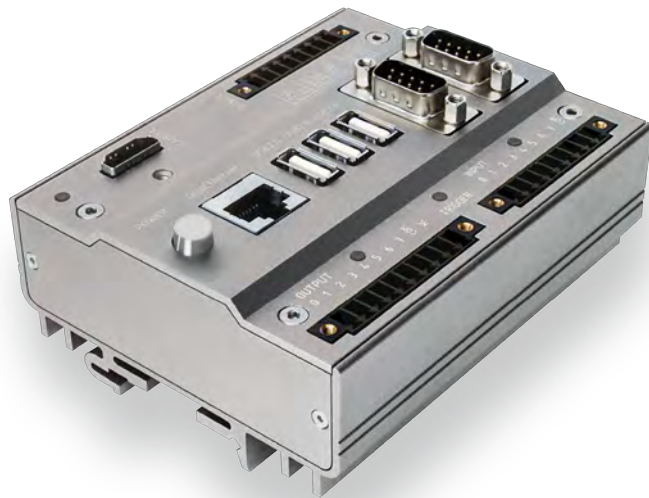


Vision Q.400SD-K01

Industrial Smart Camera



Features

- Intel® ATOM™ Processor E3845 Quad Core 1.91 GHz
- 4G-byte DRAM, 64G-byte storage for OS, soldered onboard
- Abundant CCD/CMOS sensors, resolution from 0.4MP to 20MP
- HDMI display port
- 2 constant current LED drivers inside
- IO module and cables are included as standard
- The ability of connecting GigE cameras or USB2.0 cameras
- Wide operation temperature -40°C to +80°C
- 2-year warranty

Vision Q.400SD-K01

Industrial Smart Camera

Industrial Smart Camera is a highly integrated x86-based industrial machine vision system which includes image acquisition, processing and system communication.

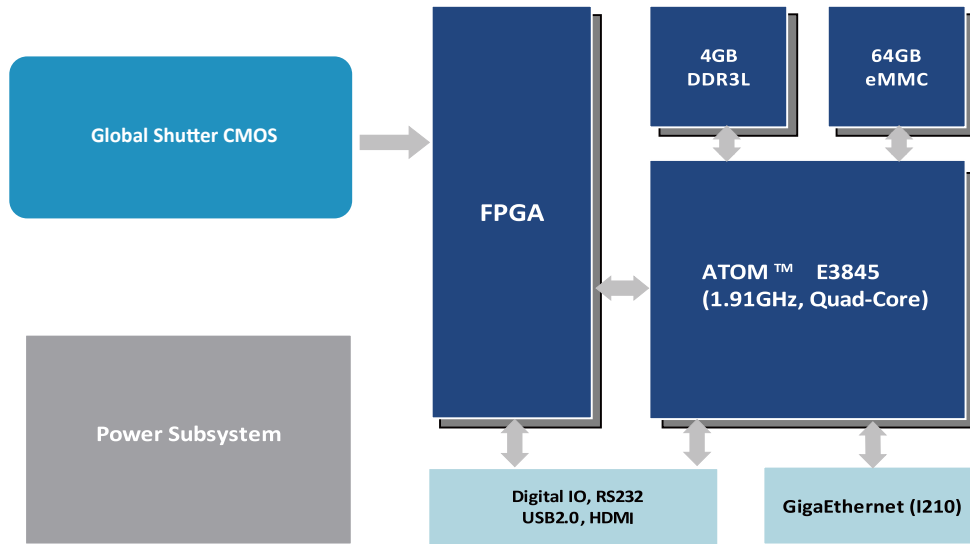
Specifications

Items	Details
CPU Model	Intel® ATOM™ processor E3845
CPU Type	64-bit Quad Core @ 1.91GHz
L2 Cache	2M-byte
DRAM	4G-byte DDR3L-1333 (soldered onboard)
Storage	64G-byte eMMC5.0 flash (soldered onboard) for OS
OS Support (64-bit)	Windows 10 IoT Enterprise
Network Port	1x Giga Ethernet (Intel® I210) ports
USB Port	3x USB 2.0 Port, 1x Internal USB 2.0 Port for Dongle
Serial Port	1x RS232 (TX and RX only), 1x isolated RS485
Digital I/O	8x isolated inputs, 8x isolated outputs, 1x isolated trig inputs, Support 12V/24V DC
Watchdog timer	1 to 256 second, setup by software
Display port	1x HDMI type A
Illumination Control	Two constant current LED drivers (light intensity adjustable): One inside camera drives LED board with max output 0.3A/24V, and the other inside IO module can drive user's LED board with max output 1.5A/24V.
Status LEDs	5 dual color LEDs: Power, Network, 3 user configurable
Camera consumption	12W max
Power Supply	20-30VDC (24VDC recommended), 2A max
Operation Temperature	-40°C to +80°C wild temperature
Construction	Rugged full metal casing, fanless
Dimensions	110 x 61 x 47 mm
Camera Weight	380 g
Regulation	CE

Vision Q.400SD-K01

Industrial Smart Camera

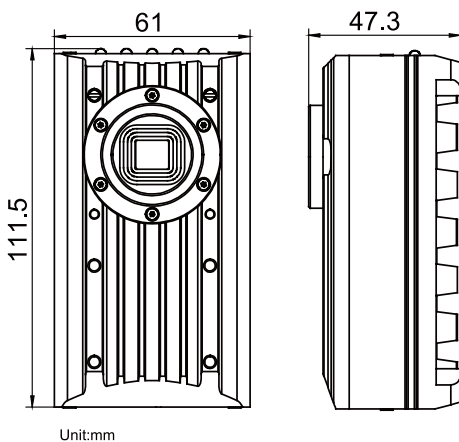
System Structure



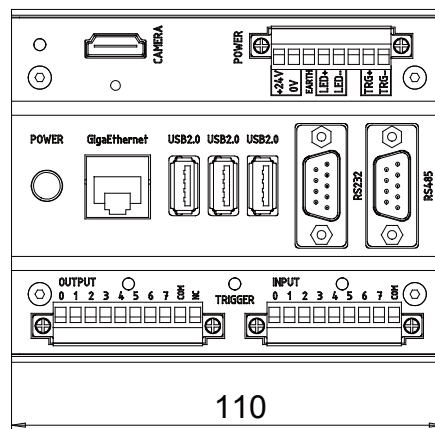
The main components includes: Sensor, FPGA and CPU.

- Sensor high end CCD/CMOS for excellent image quality
- FPGA The Image Signal Preprocessing (ISP) engine embedded in an FPGA for image interpolating, enhancement, denoising, white-balancing, saturation adjustment, etc.
- CPU Intel® ATOM™ E3845, a powerful CPU for all kinds of machine vision applications. Any user-developed or third-party software is supported.

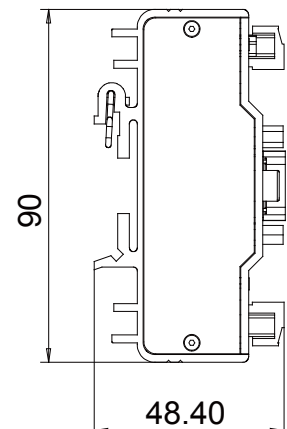
Dimensions



Smart Camera

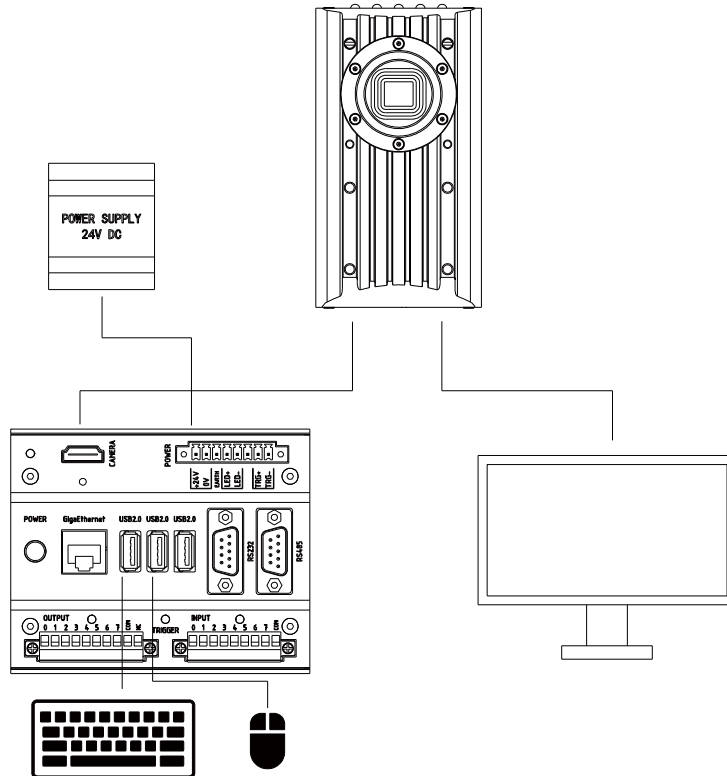


I/O Module

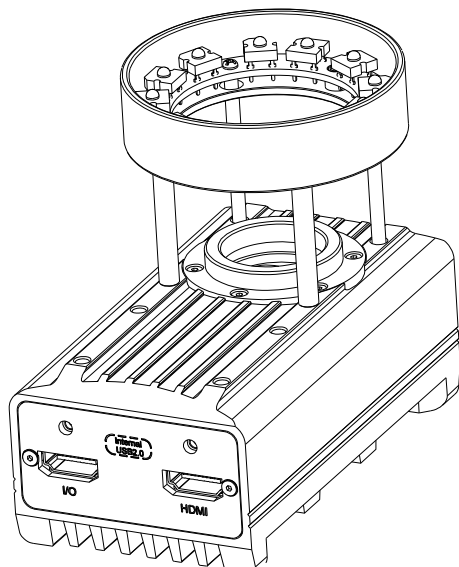


Vision Q.400SD-K01

Industrial Smart Camera



LED Drivers



Vision Q.400SD-K01 provides constant current LED drivers on both camera and I/O module with adjustable current (light intensity) for machine vision applications, which reduces system cost and increases system stability.

The internal LED driver has max output 300mA/24V for Vision Q.400SD-K01 designed Illuminator only.

The Vision Q.400SD-K01 LED Illuminator is available with multiple color and beam angle for different machine vision requirements. The inner diameter of LED Illuminator is 44mm, compatible with common Computar® FA lens like M0814-MP, M1214-MP, M1614-MP, M2514-MP, M3514-MP and M5014-MP. The LED Illuminator may not be compatible with other lens because of the dimensions.